

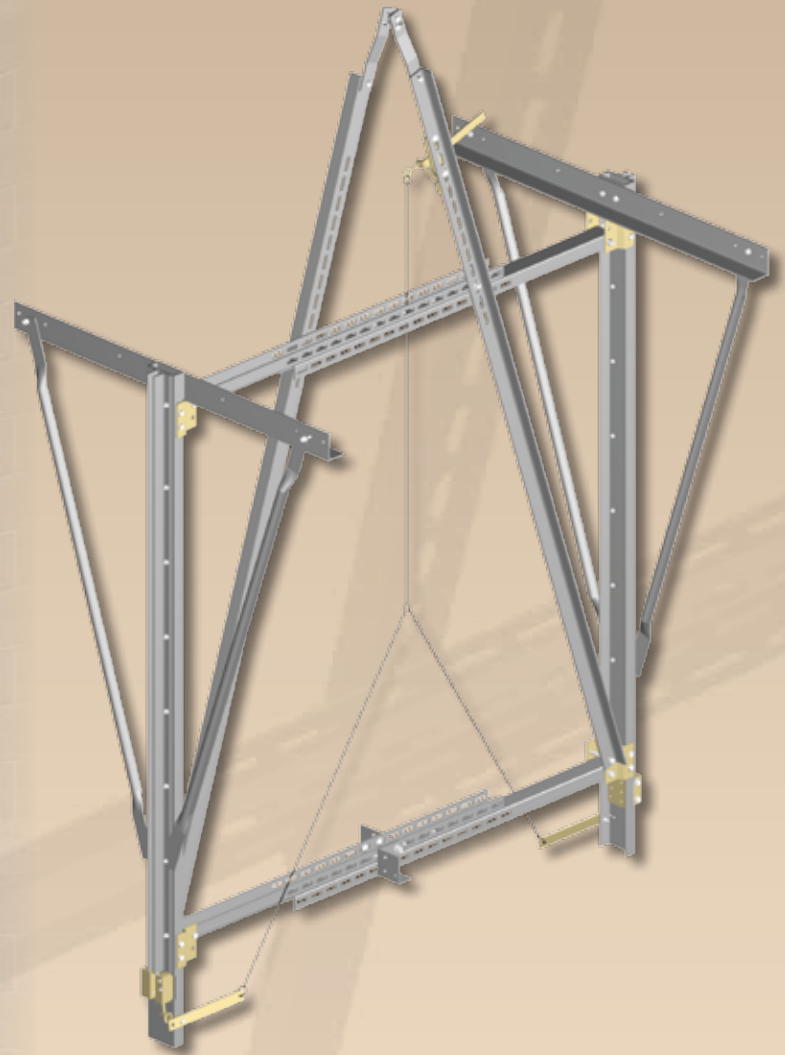
# FALSE CAR

Scaffold-Less Rail Installation



wurtec

# About the False Car



## Safely Reduce Rail Installation Time!

The Wurtec False Car used in combination with a Wire Rope Climber will reduce the time needed to install guiderails and hoistway equipment. Plus it is a much safer and a more economical method. It is time to discover what the largest elevator companies in the world have been using for years!

## Key Features

- 1500 lb. (680kg) or 2500 lb. (1130kg) capacity at 35 ft/min (10.7 meters/min)
- Collapsible for easy storage and transport
- 4 separate braking systems when used as a complete system
- Made in USA of light weight, high strength aluminum construction
- Available with canopy for overhead protection
- Thousands in use throughout the world

## FAQ (Frequently Asked Questions)

### Q1 What is the maximum load capacity of the False Car?

The safeties on the False Car are rated for a maximum load of 1500lbs (680kg). You must take into account the entire system when calculating the load placed on the False Car safeties. This includes, but is not limited to: the False Car frame and platform, any handrail or canopy, the workers, tools and material, weight of the cable climber, and any power cords or cables that will hang from the False Car.

### Q2 What is the maximum rope length for use with the False Car?

The vertical travel of the False Car is unlimited, as the cable climber hoist is only limited by the length of cables it has in the hoistway to climb. The cable climber is similar to that used on staging or window-washing equipment, and does not support the weight of the rope at any point in time. Therefore, the rope does not move, and the length of the rope determines how far the cable climber can climb.

### Q3 Where are the wire ropes attached/hitched in the shaft?

Various mounting options exist, but most wire ropes are attached to an anchor beam at the top of the shaft and/or in the machine room. The attachment point must be able to support 1500lbs (680kg).

### Q4 What rail sizes will it function with?

The Wurtec False Car design includes an adjustable safety block that allows the user to configure it for nearly any existing international rail size. Please specify your rail size to your Wurtec representative to confirm functionality with your specific rails.

### Q5 What type of brakes or safety devices are used?

The Wurtec False Car has two safety brakes that ride on the rails and have a combined rating of 1500lbs (680kg) based upon a static load. These safeties are designed to hold the False Car in position, but not stop it during travel. The cable climber Wurtec recommends provides 3 braking mechanisms as standard: a mechanical brake, an over-speed safety on the main cable, and a secondary rope-grab safety on the second wire rope in the event the primary rope fails or becomes slack.

### Q6 What are the maximum and minimum platform dimensions?

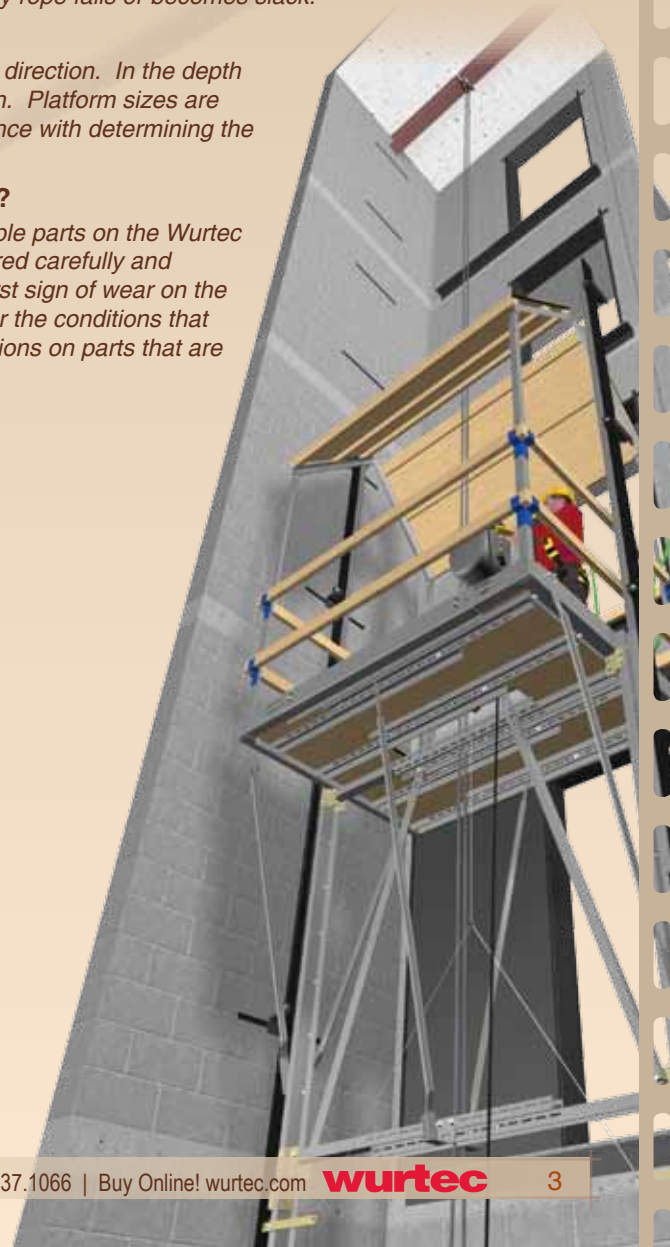
The platform size is based upon the DBG (distance between guides) in one direction. In the depth dimension, the user is responsible for determining an appropriate dimension. Platform sizes are available for all shaft sizes. Contact your Wurtec representative for assistance with determining the size of the platform required.

### Q7 What parts of the False Car require replacement and how often?

With proper care and maintenance, the safety rollers are the only consumable parts on the Wurtec False Car. As such, Wurtec recommends that the safety rollers are monitored carefully and inspected daily during usage. The safety roller should be replaced at the first sign of wear on the diamond point tips on the rollers. Please ask your Wurtec representative for the conditions that contribute to wear on the rollers, as well as if you have any additional questions on parts that are sometimes replaced due to normal wear.

## Benefits

- **Early Entrance on to Jobsite** - False Car allows contractor to begin installing hoist-way equipment prior to building and machine room completion
- **Quick Setup** - False Car is installed once in approximately 1.5 hours regardless of building height. Scaffold must be installed throughout hoist-way.
- **Faster/More Efficient Rail Installation** - Moving platform that is not dependent on building height allows for much quicker installation than scaffold or planking method
- **Cost** - Initial investment allows for reduced installation costs on all future job sites
- **Full Adjustability** - Wurtec system allows for adjustability to hoist-ways of all sizes
- **Increased Safety: Reduces Your Liability** - Safety devices and capacity-rated equipment as part of false car system increases jobsite safety



# Choose Your False Car & Platform

# 1

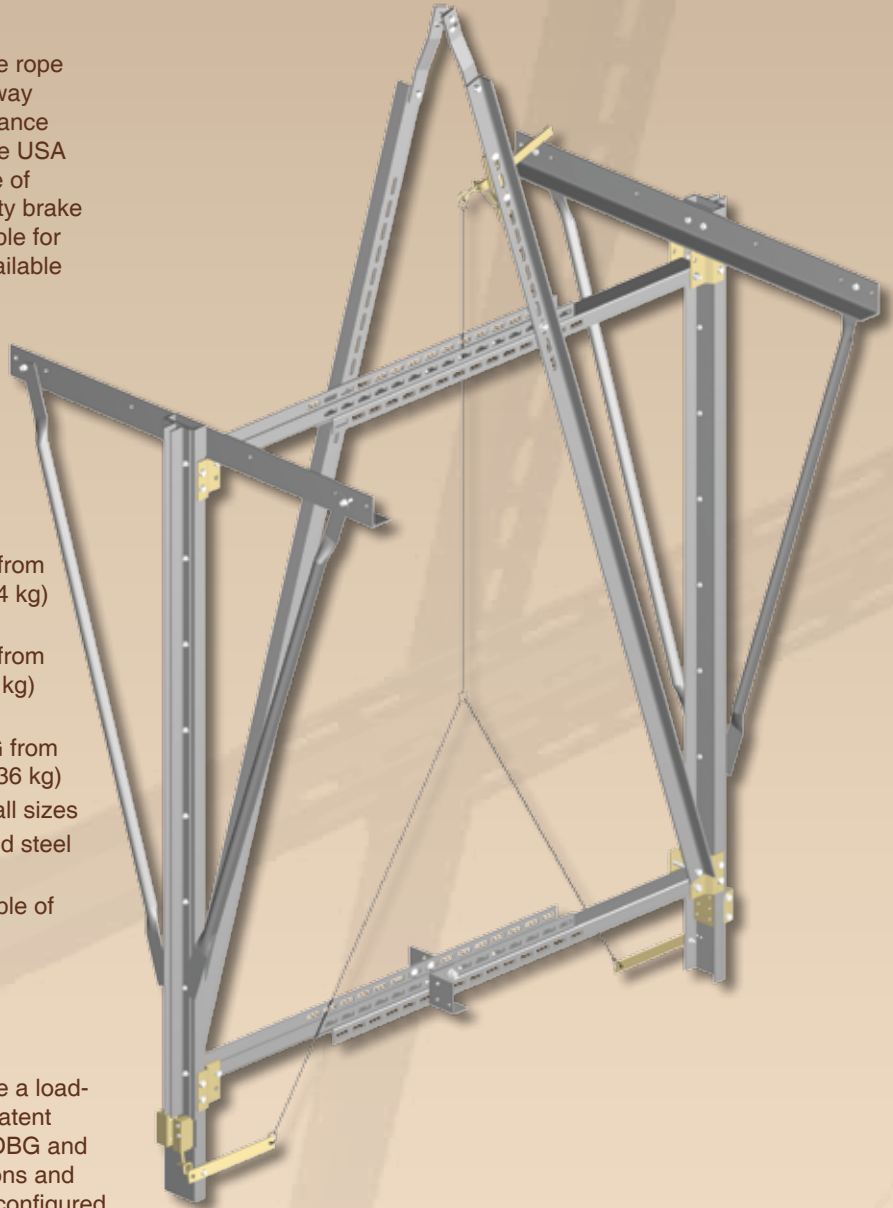
## False Car

The Wurtec False Car is used in combination with a wire rope climber for quick, safe, and efficient installation of hoistway equipment. It is adjustable to a wide range of DBG (distance between guides) and depth dimensions. It is made in the USA and built of lightweight, high strength aluminum for ease of handling and installation. The unique design of the safety brake assembly allows it to fit virtually all rail sizes. It is available for purchase or rent. NOTE: Storage/transportation box available upon request at additional cost.

#11-301  
#11-301-INT  
#11-301-2500

## Technical Specifications

- **#11-301**  
1500 lb. (680kg) capacity for applications with DBG from 5'-5" to 9'-0" (1650mm - 2740mm) - Wt. 230 lbs. (104 kg)
- **#11-301-INT**  
1500 lb. (680kg) capacity for applications with DBG from 3'-2" to 5'-5" (1000mm - 1650mm) - Wt. 194 lbs. (88 kg)
- **#11-301-2500**  
2500 lb. (1130kg) capacity for applications with DBG from 9'-0" to 13'-0" (2700mm - 3950mm) - Wt. 300 lbs. (136 kg)
- Adjustable roller/wedge safety assembly for rails of all sizes
- Aluminum construction with high-strength, zinc-plated steel in high-stress components
- To be used in conjunction with a cable climber capable of 35ft/min (10.7m/min)



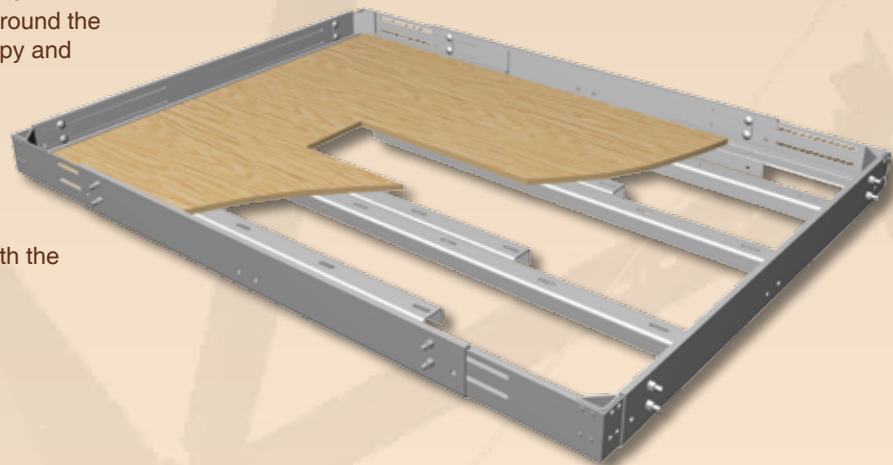
## Adjustable Platform

The Wurtec adjustable platform was designed to provide a load-rated platform for use with the Wurtec False Car. The Patent Pending aluminum platform is adjustable for the same DBG and depth range as the False Car and changing configurations and size of the platform is quick and easy. Once the size is configured, a piece of plywood is used as the floor of the work platform, and is secured under cleats along the inside edge of the platform. The platform has a 4" (100mm) kick plate as standard around the perimeter and is also designed to accept Wurtec's canopy and handrail systems. Custom sizes are also available.

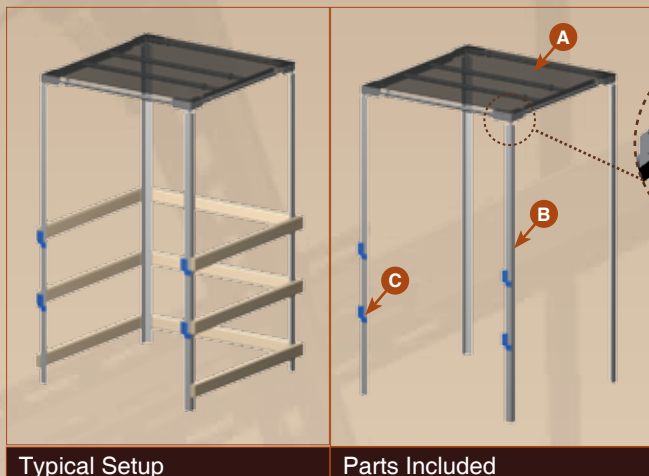
#11-305 - Wt. 139 lbs. (63 kg)

## Technical Specifications

- Adjustable to wide range of platform sizes for use with the Wurtec False Car
- Standard size ranges:
  - 64" - 96" (1625mm - 2435mm) DBG range
  - 61" - 108" (1550mm - 2740mm) depth range
- Custom sizes available
- Payload rating of 800lbs (360kg)
- Total weight of platform with plywood is less than 200lbs (90kg)



# 2 Choose Your Canopy or Handrail



Typical Setup

Parts Included

## Mesh Netting Break-Away Canopy

#11-364 - Adjusts from 66"-108" (1675mm - 2740mm)  
Wt. 64 lbs. (29 kg)

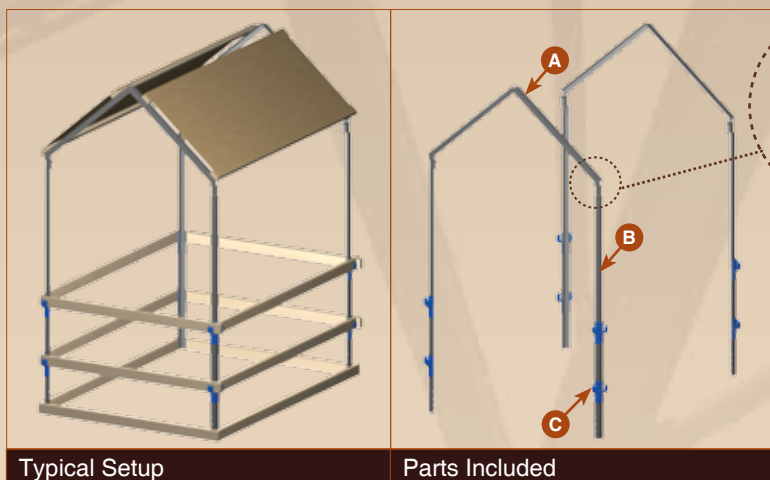
Break-away canopy (Item A) will also fit on 11-357 canopy

### Parts Included:

A) Break-Away Canopy B) Pre-Drilled Posts (2" x 2" x 3/16")  
C) (4) Saddle Brackets

### Description:

This canopy provides a telescopic aluminum-tubing frame roof with mesh safety netting to protect from falling debris. The frame is adjustable from 66"-108" (1675mm - 2740mm) and rests on top of fixed vertical corner post supports. This allows the canopy to "break away" from the corner posts in the event of emergency so that a worker cannot be trapped under the canopy. Additionally, the vertical corner post supports are supplied with saddle brackets that allow for the addition of wooden handrails for fall protection. This canopy is designed to mount seamlessly to the Wurtec False Car and platform.



Typical Setup

Parts Included

## Slant Top Break-Away Canopy

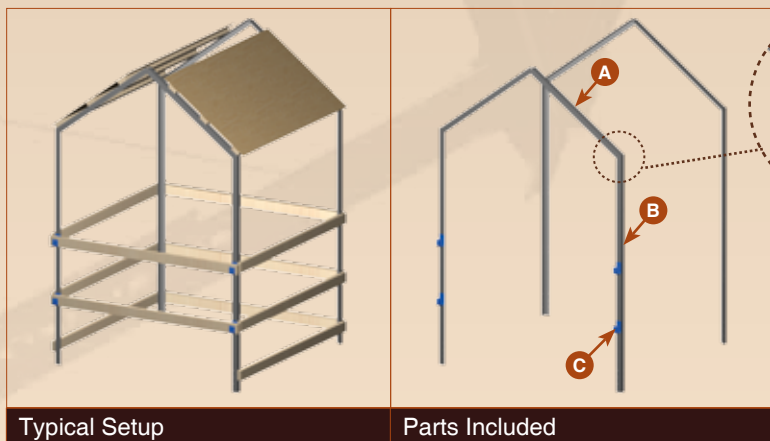
#11-357 - Wt. 70 lbs. (32 kg)

### Parts Included:

A) (4) Roof Supports B) (4) Pre-Drilled Post (2" x 2" x 3/16")  
C) (16) Saddle Brackets

### Description:

This canopy provides an aluminum angle framed roof that is covered with plywood to protect from falling debris. The roof is adjustable to a wide range of sizes and is designed to "break away" from the corner posts in the event that a worker is secured to a life-line and the platform travels downward unexpectedly. It will help eliminate a worker being trapped under the canopy. This canopy also provides saddle brackets to allow for the addition of wooden handrails for fall protection. This canopy is designed to mount seamlessly to the Wurtec False Car and platform.



Typical Setup

Parts Included

## Slant Top Fixed Canopy

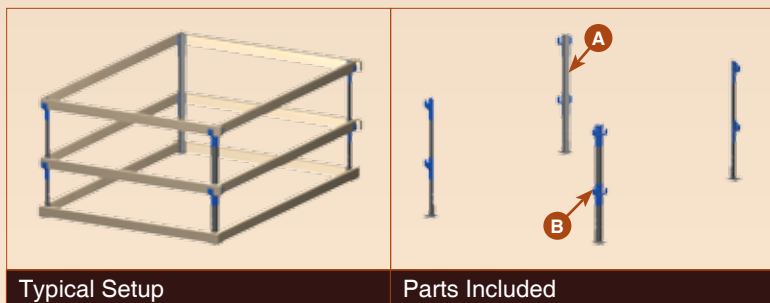
#11-355 - Regular Duty, Wt. 70 lbs. (32 kg)

### Parts Included:

A) (4) Roof Supports B) (4) Pre-Drilled Post (2" x 2" x 3/16")  
C) (4) Saddle Brackets

### Description:

This canopy provides an aluminum angle framed roof that is covered with plywood to protect from falling debris. The roof is fixed and will not "break away". This canopy also provides saddle brackets to allow for the addition of wooden handrails for fall protection. This canopy can be mounted to wooden platforms or the Wurtec False Car and platform.



Typical Setup

Parts Included

## Handrail Kit

#11-356-HR - Wt. 39 lbs. (18 kg)

### Parts Included:

A) (4) Pre-Drilled Post (2" x 2" x 3/16") B) (16) Saddle Brackets

### Description:

For those customers requiring only a handrail for fall protection, Wurtec offers a handrail option that is designed to be mounted to the Wurtec False Car and platform. It provides no overhead protection, but will allow for fall protection to the workers on the platform. The customer must provide wood handrails to be mounted to the saddle brackets on the four vertical corner posts.

# Choose Your Accessories

## 3



### False Car Safety Checklist

#11-301-CKLIST

Wurtec's false car safety check list has been designed as a safety measure allowing you to track and verify that the daily safety checks are being performed. It also allows you to log critical information from the time the unit was installed. Made of a special plastic, you can write on it with a grease pencil and then wipe it off when necessary. The tag tracks a full week of checks before it needs to be cleaned to allow the process to start over. The check list measures 5" x 7" (127mm X 178mm) and comes pre-punched with a small mounting hole which will allow you to mount it in a conspicuous place on the false car. Grease pencil included.



### Wire Rope Climber

Specify local power requirements. Hz 50 or 60 Voltage 220 or 400 and single or 3 phase.

### Support Kit for Platform

#11-305-SK

Use this kit to provide added support when expanding the adjustable platform beyond seven feet in either direction. Replaces the standard joist bracket that comes with the false car and attaches to the bottom flange of the adjustable platform, #11-305.



Support Posts

Shown In Use



### Wire Rope

To order the correct wire rope specify the length. This is dependent on your hoistway height.



### Power Cords

Dependent on the hoist specifications.

## Total Solution Checklist

1. **False Car** Capacity  1500  2500 Desired DBG \_\_\_\_\_ Rail Size \_\_\_\_\_
2. **Adjustable Platform** Hoistway Size = \_\_\_\_\_ wide (DBG) x \_\_\_\_\_ deep
3. **Canopy or Handrail**  Mesh Netting Break-Away  Slant Top Break-Away  
 Slant Top Fixed  Handrail Kit
4. **Accessories**  Safety Checklist  Adjustable Platform Support Kit
5. **Wire Rope Climber** Capacity =  1500 lb.  2200 lb. Phase =  1-Phase  3-Phase  
Hertz =  60 Hz  50 Hz Voltage =  220  400
6. **Wire Ropes** Length \_\_\_\_\_ (ft.) \_\_\_\_\_ (meters)
7. **Power Cord** Length \_\_\_\_\_ (ft.) \_\_\_\_\_ (meters)

# FLEXPACK

FALSE CAR

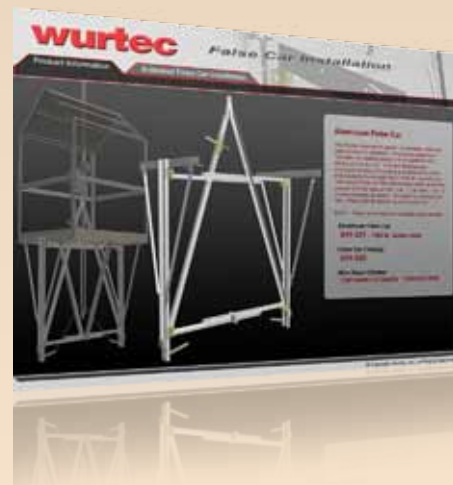
Need a complete kit? This kit contains everything you need to install guiderails and hoistway equipment. The kit is configured for a 250' (75m) rise hoistway. FlexPacks for other size hoistway and rises available.

## #FP-100

Your Kit Includes:

- A** (1) False Car
- B** (1) Adjustable Platform
- C** (1) Regular Canopy
- D** (2) Galvanized Wire Rope (5/16", 250 ft.(75mm))
- E** (1) Climber Power Cord (Single Phase)
- F** (1) Cable Climber

Find out more about how the False Car works by viewing our 3D animation at [wurtec.com](http://wurtec.com)



This animated installation video will give you the complete idea of why our False Car is the PERFECT SOLUTION for installing your hoistway equipment!

**wurtec**

6200 Brent Drive  
Toledo, Ohio 43611 USA  
Ph: 1.800.837.1066 (USA)  
Ph: 1.419.726.1066 (International)  
Buy Online! [wurtec.com](http://wurtec.com)